



VA Series Vacuum Adapter Fittings



FITOK

Contents

KF Adapter Fittings

- KF to Female NPT
- KF to Male NPT
- KF to CF Flange Conical Reducing
- KF to Tube Fitting
- KF to CF Flange Straight Reducing
- KF to Rotatable Male FR Metal Gasket Face Seal Fitting
- KF to Vacuum Tube Fitting
- KF to Female FR Metal Gasket Face Seal Fitting

01

CF Adapter Fittings

- CF to Female FR Metal Gasket Face Seal Fitting
- CF to Vacuum Tube Fitting
- CF to Rotatable Male FR Metal Gasket Face Seal Fitting
- CF to Tube Fitting

06

Other Adapter Fittings

- BSPT Adapter

07

Features

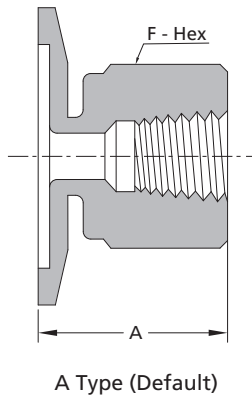
- ◎ Vacuum Range:
 - Copper Seal: $\geq 10^{-12}$ Torr
 - Elastomeric Seal: $\geq 10^{-8}$ Torr
- ◎ Working temperature:
 - Copper Seal: -325°F to 842°F (-200°C to 450°C)
 - Elastomeric Seal: -4°F to 302°F (-20°C to 150°C)
- ◎ Materials:
 - 304, 304L, 316, 316L or Aluminum

Applications

Adapter Vacuum products are generally used on vacuum chamber ports to connect vacuum flanges to various fittings.

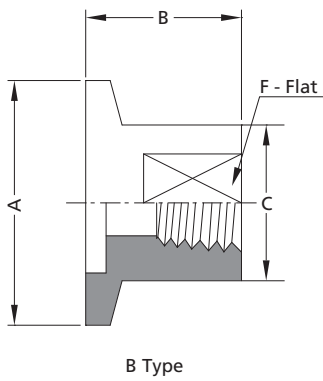
KF Adapter Fittings

KF to Female NPT



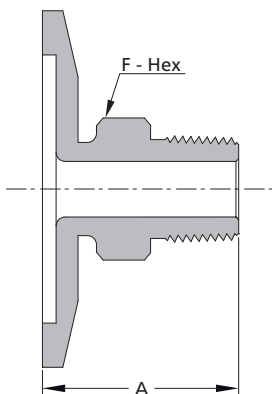
Pipe Size in.	Flange Size	Basic Ordering Number (For A Type)	A in. (mm)	F in. (mm)
1/8	KF10	-VA-KF10-FNS2	0.92(23.4)	9/16(14.3)
	KF16	-VA-KF16-FNS2		
	KF25	-VA-KF25-FNS2		
	KF40	-VA-KF40-FNS2		
	KF50	-VA-KF50-FNS2		
1/4	KF10	-VA-KF10-FNS4	1.07(27.2)	3/4(19.1)
	KF16	-VA-KF16-FNS4		
	KF25	-VA-KF25-FNS4		
	KF40	-VA-KF40-FNS4		
	KF50	-VA-KF50-FNS4		
1/2	KF16	-VA-KF16-FNS8	1.44(36.6)	1 1/16(27.0)
	KF25	-VA-KF25-FNS8	1.39(35.3)	
	KF40	-VA-KF40-FNS8		
	KF50	-VA-KF50-FNS8		
3/4	KF25	-VA-KF25-FNS12	1.45(36.8)	1 5/16(33.3)
	KF40	-VA-KF40-FNS12		
	KF50	-VA-KF50-FNS12		
1	KF25	-VA-KF25-FNS16	1.57(39.9)	1 5/8(41.3)
	KF40	-VA-KF40-FNS16		
	KF50	-VA-KF50-FNS16		

KF to Female NPT



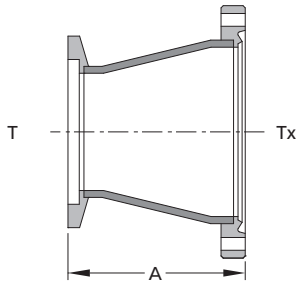
Pipe Size in.	Flange Size	Basic Ordering Number (For B Type)	A in.(mm)	B in.(mm)	C in.(mm)	F in.(mm)
1/8	KF10	-VA-KF10-FNS2-N	1.18(30.0)	0.75(19.1)	0.75(19.1)	0.63(16.0)
1/4		-VA-KF10-FNS4-N	1.18(30.0)	0.75(19.1)	0.75(19.1)	0.63(16.0)
1/8	KF16	-VA-KF16-FNS2-N	1.18(30.0)	0.75(19.1)	0.75(19.1)	0.63(16.0)
1/4		-VA-KF16-FNS4-N	1.18(30.0)	0.75(19.1)	0.75(19.1)	0.63(16.0)
1/8	KF25	-VA-KF25-FNS2-N	1.57(40.0)	0.75(19.1)	1.00(25.4)	0.87(22.0)
1/4		-VA-KF25-FNS4-N	1.57(40.0)	0.75(19.1)	1.00(25.4)	0.87(22.0)
1/2		-VA-KF25-FNS8-N	1.57(40.0)	1.00(25.4)	1.10(27.8)	0.94(24.0)
1/8	KF40	-VA-KF40-FNS2-N	2.17(55.0)	1.00(25.4)	1.50(38.1)	1.26(32.0)
1/4		-VA-KF40-FNS4-N	2.17(55.0)	1.00(25.4)	1.50(38.1)	1.26(32.0)
1/2		-VA-KF40-FNS8-N	2.17(55.0)	1.00(25.4)	1.50(38.1)	1.26(32.0)
3/4		-VA-KF40-FNS12-N	2.17(55.0)	1.00(25.4)	1.63(41.3)	1.34(34.0)
1/8	KF50	-VA-KF50-FNS2-N	2.92(75.0)	1.00(25.4)	2.00(50.8)	1.73(44.0)
1/4		-VA-KF50-FNS4-N	2.92(75.0)	1.00(25.4)	2.00(50.8)	1.73(44.0)
1/2		-VA-KF50-FNS8-N	2.92(75.0)	1.00(25.4)	2.00(50.8)	1.73(44.0)
3/4		-VA-KF50-FNS12-N	2.92(75.0)	1.00(25.4)	2.00(50.8)	1.73(44.0)

KF to Male NPT



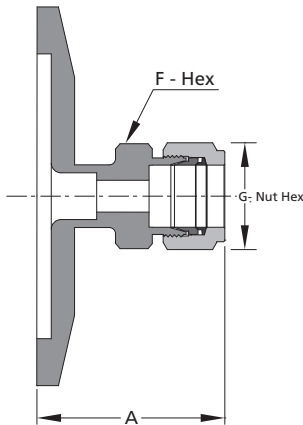
Pipe Size in.	Flange Size	Basic Ordering Number	A in.(mm)	F in.(mm)
1/8	KF10	-VA-KF10-NS2	0.89(22.6)	7/16(11.1)
	KF16	-VA-KF16-NS2		
	KF25	-VA-KF25-NS2		
	KF40	-VA-KF40-NS2		
	KF50	-VA-KF50-NS2		
1/4	KF10	-VA-KF10-NS4	1.10(27.9)	9/16(14.3)
	KF16	-VA-KF16-NS4		
	KF25	-VA-KF25-NS4		
	KF40	-VA-KF40-NS4		
	KF50	-VA-KF50-NS4		
1/2	KF16	-VA-KF16-NS8	1.35(34.3)	7/8(22.2)
	KF25	-VA-KF25-NS8		
	KF40	-VA-KF40-NS8		
	KF50	-VA-KF50-NS8		
3/4	KF25	-VA-KF25-NS12	1.35(34.3)	1 1/16(27.0)
	KF40	-VA-KF40-NS12		
	KF50	-VA-KF50-NS12		
1	KF25	-VA-KF25-NS16	1.64(41.7)	1 3/8(34.9)
	KF40	-VA-KF40-NS16		
	KF50	-VA-KF50-NS16		

KF to CF Flange Conical Reducing



Flange Size	Tube OD in.		Basic Ordering Number	A in.(mm)
	T	Tx		
KF16-CF212	3/4	1/2	-VA-KF16-CF212-NCR	1.69(42.9)
KF16-CF275	3/4	1/2	-VA-KF16-CF275-NCR	2.73(69.3)
KF25-CF212	1	3/4	-VA-KF25-CF212-NCR	2.03(51.6)
KF25-CF275	1	3/4	-VA-KF25-CF275-NCR	2.73(69.3)
KF25-CF338	1	3/4	-VA-KF25-CF338-NCR	2.75(69.9)
KF40-CF133	1	3/4	-VA-KF40-CF133-NCR	3.03(77.0)
KF40-CF212	1 1/2	1	-VA-KF40-CF212-NCR	2.69(68.3)
KF40-CF338	1 1/2	1	-VA-KF40-CF338-NCR	2.75(69.9)
KF40-CF450	1 1/2	1	-VA-KF40-CF450-NCR	2.90(73.7)
KF40-CF462	1 1/2	1	-VA-KF40-CF462-NCR	4.06(103.1)
KF50-CF212	2	1	-VA-KF50-CF212-NCR	2.69(68.3)
KF50-CF275	2	1 1/2	-VA-KF50-CF275-NCR	2.73(69.3)
KF50-CF450	2	1 1/2	-VA-KF50-CF450-NCR	2.90(73.7)
KF50-CF462	2	1 1/2	-VA-KF50-CF462-NCR	4.06(103.1)
KF50-CF600	2	1 1/2	-VA-KF50-CF600-NCR	4.21(106.9)

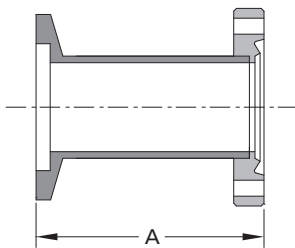
KF to Tube Fitting



Tube OD in.	Flange Size	Basic Ordering Number	A in.(mm)	F in.(mm)	G in.(mm)
1/4	KF10	-VA-KF10-FL4	1.47(37.3)	1/2(12.7)	9/16(14.3)
	KF16	-VA-KF16-FL4			
	KF25	-VA-KF25-FL4			
	KF40	-VA-KF40-FL4			
	KF50	-VA-KF50-FL4			
3/8	KF10	-VA-KF10-FL6	1.63(41.4)	5/8(15.9)	11/16(17.5)
	KF16	-VA-KF16-FL6			
	KF25	-VA-KF25-FL6			
	KF40	-VA-KF40-FL6			
	KF50	-VA-KF50-FL6			
1/2	KF25	-VA-KF25-FL8	1.77(45.0)	13/16(20.6)	7/8(22.2)
	KF40	-VA-KF40-FL8			
	KF50	-VA-KF50-FL8			
3/4	KF25	-VA-KF25-FL12	2.14(54.4)	1 1/16(27.0)	1 1/8(28.6)
	KF40	-VA-KF40-FL12			
	KF50	-VA-KF50-FL12			
1	KF25	-VA-KF25-FL16	2.60(66.0)	1 3/8(34.9)	1 1/2(38.1)
	KF40	-VA-KF40-FL16			
	KF50	-VA-KF50-FL16			

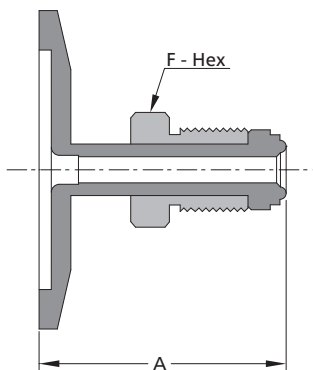
*To order straight fittings bored through, add T to the ordering number, eg:SS-TVA-KF25-FL4.

KF to CF Flange Straight Reducing

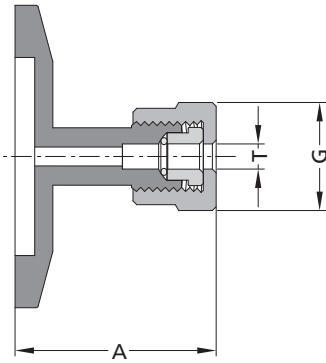


Flange Size	Tube OD in.	Basic Ordering Number	A in.(mm)
KF10-CF133	1/2	-VA-KF10-CF133-SR	1.75(44.5)
KF16-CF133	3/4	-VA-KF16-CF133-SR	1.75(44.5)
KF16-CF275	3/4	-VA-KF16-CF275-SR	1.78(45.2)
KF25-CF212	1	-VA-KF25-CF212-SR	1.75(44.5)
KF25-CF275	1	-VA-KF25-CF275-SR	1.78(45.2)
KF40-CF275	1 1/2	-VA-KF40-CF275-SR	1.78(45.2)
KF40-CF338	1 1/2	-VA-KF40-CF338-SR	1.80(45.7)
KF50-CF133	3/4	-VA-KF50-CF133-SR	1.95(49.5)
KF50-CF275	1 1/2	-VA-KF50-CF275-SR	1.95(49.5)
KF50-CF338	2	-VA-KF50-CF338-SR	1.80(45.7)
KF50-CF450	2	-VA-KF50-CF450-SR	1.95(49.5)

KF to Rotatable Male FR Metal Gasket Face Seal Fitting

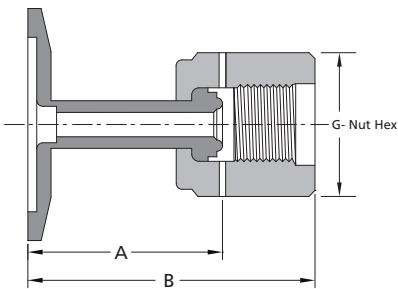


FR Size in.	Flange Size	Basic Ordering Number	A in.(mm)	F in.(mm)
1/4	KF10	-VA-KF10-RFR4	1.46(37.1)	5/8(15.9)
	KF16	-VA-KF16-RFR4		
	KF25	-VA-KF25-RFR4		
	KF40	-VA-KF40-RFR4		
	KF50	-VA-KF50-RFR4		
3/8	KF16	-VA-KF16-RFR6	1.65(41.9)	11/16(17.5)
	KF25	-VA-KF25-RFR6	1.55(39.4)	
	KF40	-VA-KF40-RFR6		
	KF50	-VA-KF50-RFR6		
1/2	KF16	-VA-KF16-RFR8	1.65(41.9)	15/16(23.8)
	KF25	-VA-KF25-RFR8	1.55(39.4)	
	KF40	-VA-KF40-RFR8		
	KF50	-VA-KF50-RFR8		
3/4	KF25	-VA-KF25-RFR12	2.15(54.6)	1 5/16(33.3)
	KF40	-VA-KF40-RFR12	2.05(52.1)	
	KF50	-VA-KF50-RFR12		
1	KF25	-VA-KF25-RFR16	2.26(57.4)	1 5/8(41.3)
	KF40	-VA-KF40-RFR16		
	KF50	-VA-KF50-RFR16		



T-Tube OD in.	Flange Size	Basic Ordering Number	A in.(mm)	G in.(mm)
1/4	KF10	-VA-KF10-VL4	1.48(37.6)	11/16(17.5)
3/8		-VA-KF10-VL6	1.62(41.1)	13/16(20.6)
1/4	KF16	-VA-KF16-VL4	1.48(37.6)	11/16(17.5)
3/8		-VA-KF16-VL6	1.62(41.1)	13/16(20.6)
1/2		-VA-KF16-VL8	1.79(45.5)	15/16(23.8)
1/4	KF25	-VA-KF25-VL4	1.48(37.6)	11/16(17.5)
3/8		-VA-KF25-VL6	1.62(41.1)	13/16(20.6)
1/2		-VA-KF25-VL8	1.79(45.5)	15/16(23.8)
3/4		-VA-KF25-VL12	1.93(49.0)	1 1/4(31.8)
1/4	KF40	-VA-KF40-VL4	1.48(37.6)	11/16(17.5)
3/8		-VA-KF40-VL6	1.62(41.1)	13/16(20.6)
1/2		-VA-KF40-VL8	1.79(45.5)	15/16(23.8)
3/4		-VA-KF40-VL12	1.93(49.0)	1 1/4(31.8)
1		-VA-KF40-VL16	1.95(49.5)	1 9/16(39.7)
1/4	KF50	-VA-KF50-VL4	1.48(37.6)	11/16(17.5)
3/8		-VA-KF50-VL6	1.62(41.1)	13/16(20.6)
1/2		-VA-KF50-VL8	1.79(45.5)	15/16(23.8)
3/4		-VA-KF50-VL12	1.93(49.0)	1 1/4(31.8)
1		-VA-KF50-VL16	1.95(49.5)	1 9/16(39.7)

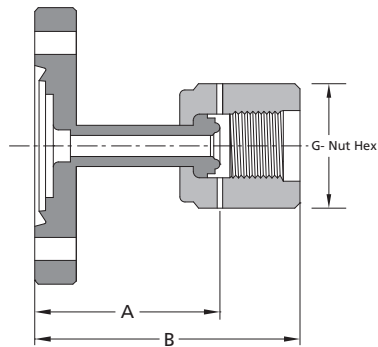
KF to Female FR Metal Gasket Face Seal Fitting



FR Size in.	Flange Size	Basic Ordering Number	A in.(mm)	B in.(mm)	G in.(mm)
1/4	KF10	-VA-KF10-FFR4	1.46(37.1)	1.96(49.8)	3/4(19.1)
	KF16	-VA-KF16-FFR4			
	KF25	-VA-KF25-FFR4			
	KF40	-VA-KF40-FFR4			
	KF50	-VA-KF50-FFR4			
1/2	KF16	-VA-KF16-FFR8	1.65(41.9)	2.21(56.1)	1 1/16(27.0)
	KF25	-VA-KF25-FFR8			
	KF40	-VA-KF40-FFR8			
	KF50	-VA-KF50-FFR8			

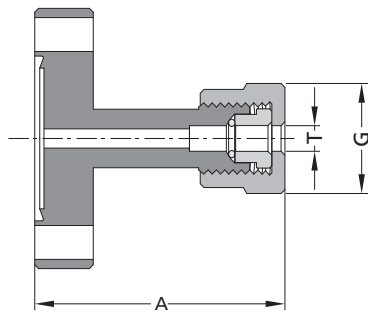
CF Adapter Fittings

CF to Female FR Metal Gasket Face Seal Fitting



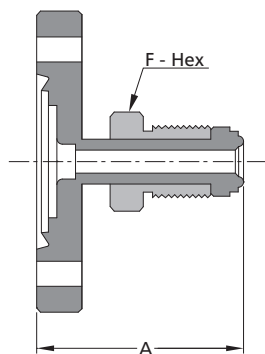
FR Size in.	Flange Size	Basic Ordering Number	A in.(mm)	B in.(mm)	G in.(mm)
1/4	CF133	-VA-CF133-FFR4	1.36(34.5)	1.86(47.2)	3/4(19.1)
1/2		-VA-CF133-FFR8	1.55(39.4)	2.11(53.6)	1 1/16(27.0)
1/4	CF275	-VA-CF275-FFR4	1.36(34.5)	1.86(47.2)	3/4(19.1)
1/2		-VA-CF275-FFR8	1.55(39.4)	2.11(53.6)	1 1/16(27.0)

CF to Vacuum Tube Fitting

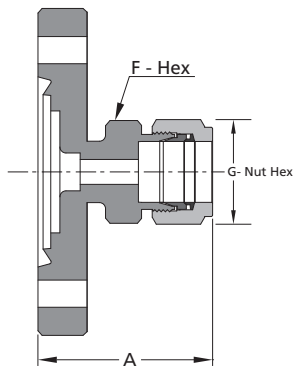


T-Tube OD in.	Flange Size	Basic Ordering Number	A in.(mm)	G in.(mm)
1/4	CF133	-VA-CF133-VL4	1.38(34.9)	11/16(17.5)
3/8		-VA-CF133-VL6	1.38(34.9)	13/16(20.6)
1/2		-VA-CF133-VL8	1.44(36.5)	15/16(23.8)
5/8		-VA-CF133-VL10	1.69(42.9)	1 1/8(28.6)
1/4	CF275	-VA-CF275-VL4	1.38(34.9)	11/16(17.5)
3/8		-VA-CF275-VL6	1.38(34.9)	13/16(20.6)
1/2		-VA-CF275-VL8	1.44(36.5)	15/16(23.8)
5/8		-VA-CF275-VL10	1.75(44.5)	1 1/8(28.6)
3/4		-VA-CF275-VL12	1.88(47.6)	1 1/4(31.8)
1		-VA-CF275-VL16	2.13(54.0)	1 9/16(39.7)

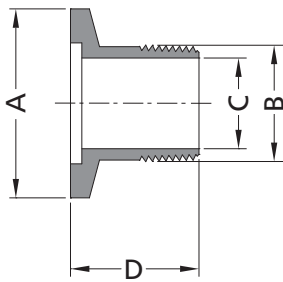
CF to Rotatable Male FR Metal Gasket Face Seal Fitting



FR Size in.	Flange Size	Basic Ordering Number	A in.(mm)	F in.(mm)
1/4	CF133	-VA-CF133-RFR4	1.36(34.5)	5/8(15.9)
1/2		-VA-CF133-RFR8	1.55(39.4)	15/16(23.8)
1/4	CF275	-VA-CF275-RFR4	1.36(34.5)	5/8(15.9)
1/2		-VA-CF275-RFR8	1.55(39.4)	15/16(23.8)

CF to Tube Fitting


Tube OD in.	Flange Size	Basic Ordering Number	A in.(mm)	F in.(mm)	G in.(mm)
1/4	CF133	-VA-CF133-FL4	1.37(34.8)	1/2(12.7)	9/16(14.3)
3/8		-VA-CF133-FL6	1.58(40.1)	5/8(15.9)	11/16(17.5)
1/4	CF275	-VA-CF275-FL4	1.57(39.9)	1/2(12.7)	9/16(14.3)
3/8		-VA-CF275-FL6	1.73(43.9)	5/8(15.9)	11/16(17.5)

Other Adapter Fittings
Male ISO Tapered Thread


Flange Size	Basic Ordering Number	A in.(mm)	B in.(mm)	C in.(mm)	D in.(mm)	BSPT
KF10	-VA-KF10-RT4	1.18(30.0)	0.52(13.16)	0.35(9.0)	1.18 (30.0)	1/4" x 19 BSPT
	-VA-KF10-RT6	1.18(30.0)	0.66(16.66)	0.39(10.0)		3/8" x 19 BSPT
KF16	-VA-KF16-RT8	1.18(30.0)	0.83(20.96)	0.63(16.0)		1/2" x 14 BSPT
KF25	-VA-KF25-RT12	1.57(40.0)	1.04(26.44)	0.79(20.0)		3/4" x 14 BSPT
	-VA-KF25-RT16	1.57(40.0)	1.31(33.25)	0.94(24.0)		1" x 11 BSPT
KF40	-VA-KF40-RT20	2.17(55.0)	1.65(41.91)	1.38(35.0)		1 1/4" x 11 BSPT
	-VA-KF40-RT24	2.17(55.0)	1.88(47.8)	1.61(41.0)		1 1/2" x 11 BSPT
KF50	-VA-KF50-RT32	2.95(75.0)	2.35(59.61)	2.00(51.0)		2" x 11 BSPT

- ⦿ For details about fittings not listed, please contact us.
- ⦿ The performance of the adapter fitting is determined by the lower performing end connection.

FIRTECH

Al. Piłsudskiego 34, 05-270 Marki, Polska

Tel.: +48 22 435-82-44, **Fax.:** +48 22 427-52-66

e-mail: FITOK@FITOKGROUP.PL

FK-IC-GF-09-EN-150507